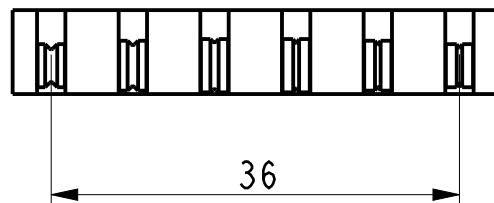
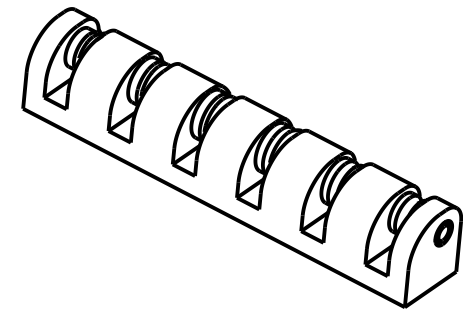
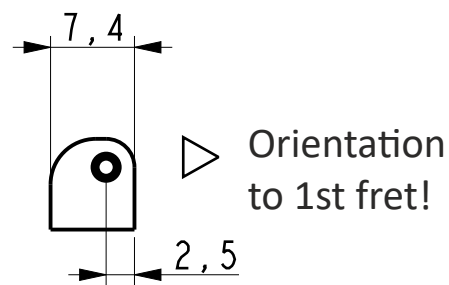
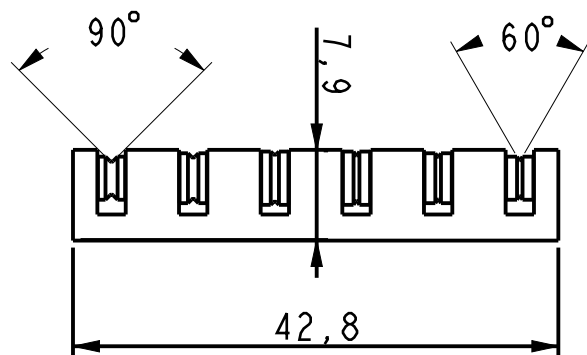


ABM7021 Roller Nut (LP-Style)



All length dimensions are given in mm

Description

- milled from solid bell brass
- for LP-Guitars with 12" fretboard
- variable roller shape for a perfect emulation and guiding
- fills the widened gap that has to be made in order to place the rollers in the middle of the point support of the former non-roller saddle