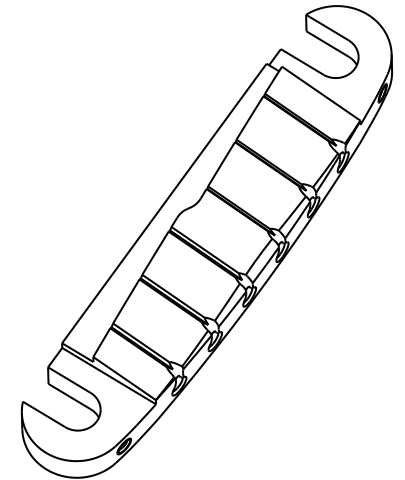
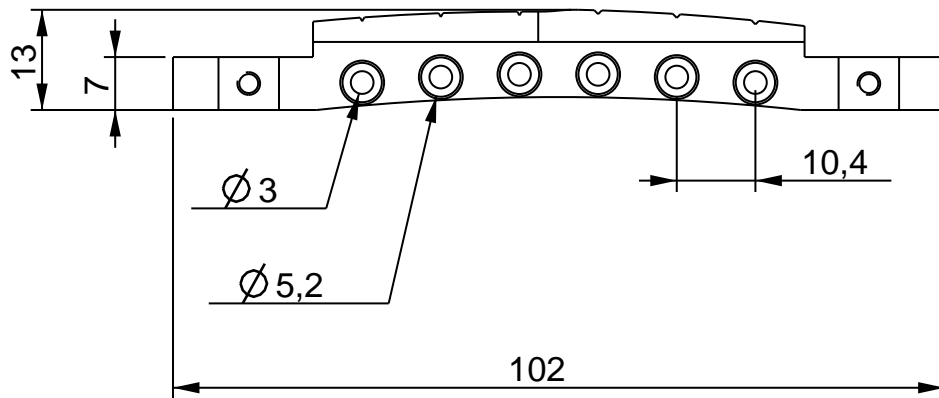


ABM3025 and 3025a Stop Tail



Description

- ABM3025 milled from solid bell brass
- ABM3025a milled from solid bell aluminum
- for 12 inch fretboard radius
- suitable on ABM30208 metric M8 studs and ABM302516 imperial 5/16" studs
- comes with a pair ABM302516 studs
- for straight mounting
- adjustable via headless screws

