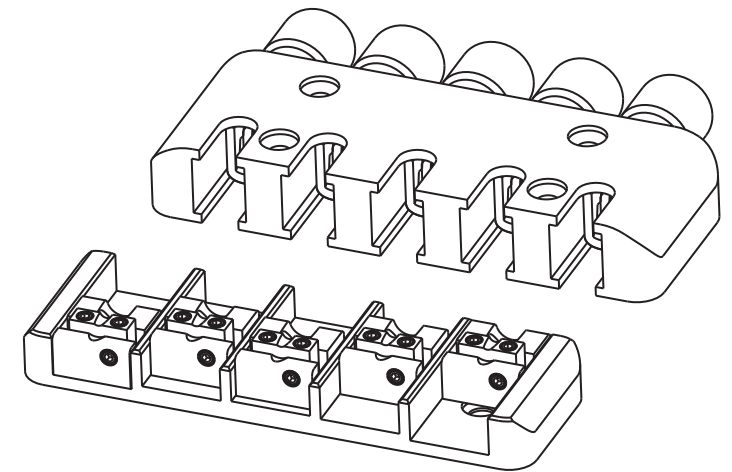
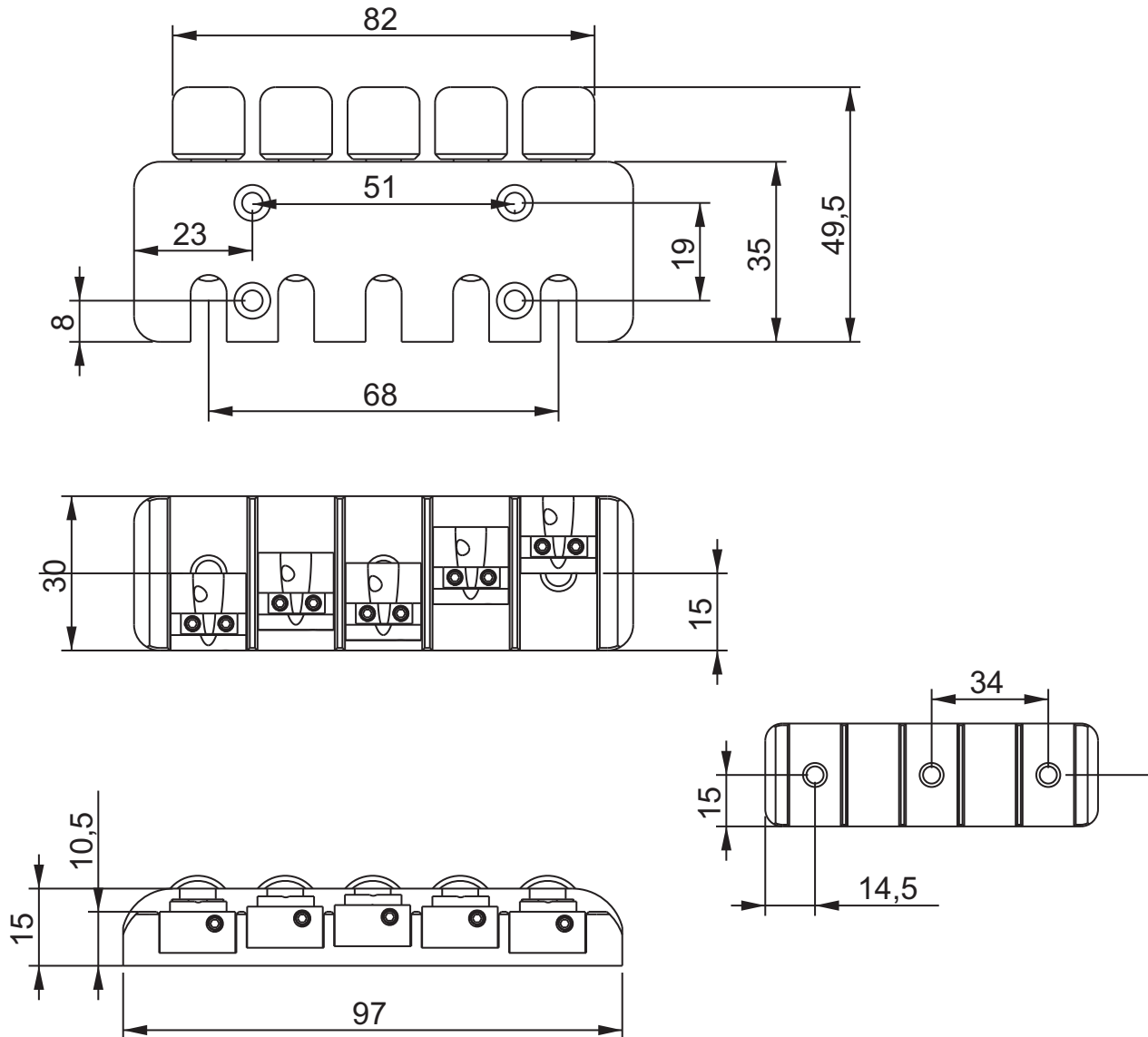


# ABM3910 Headless Bass Set



## Description

- milled from solid bell brass
- for 5-String Bass
- 17 mm (68 mm) Stringsacing
- max. elevating adjustment of 2.5 mm
- suitable for the ABM7082 Headpiece
- comes with Allen key and wooden screws