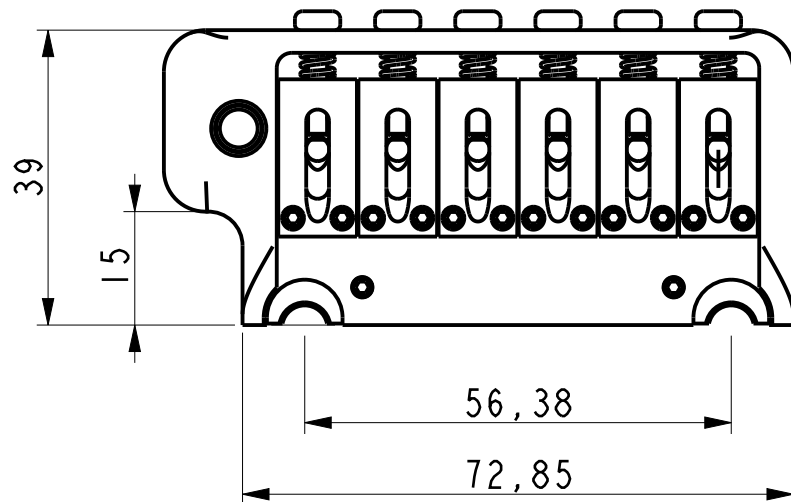
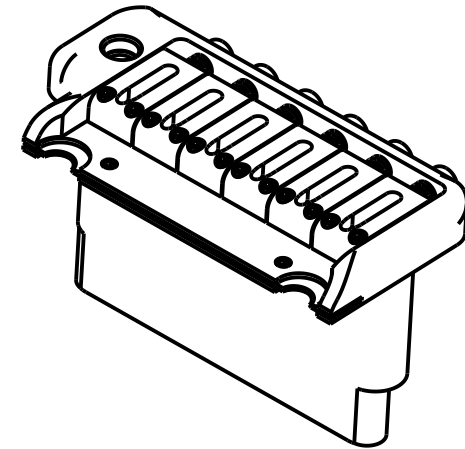
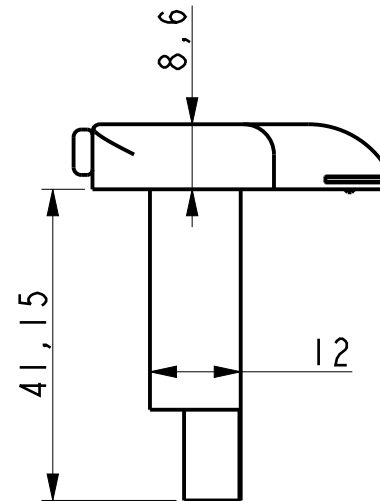
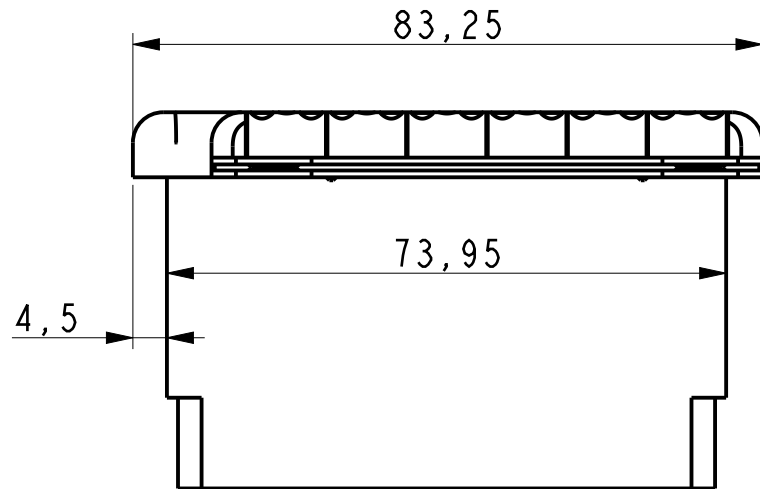


ABM5200 Tremolo



Description :

- solid Bell Brass base plate with advanced string guide
- direct replacement for 2-point mounting with changeable knife edge
- 53 mm string spacing and 56.38 mm post spacing
- solid Bell Brass saddles
- two custom made Torpedo-Knobs, without any edge
- tremolo block made of Bell Brass,
- plug in stainless steel tremolo bar with adjustable clearance

ABM5200 Tremolo

