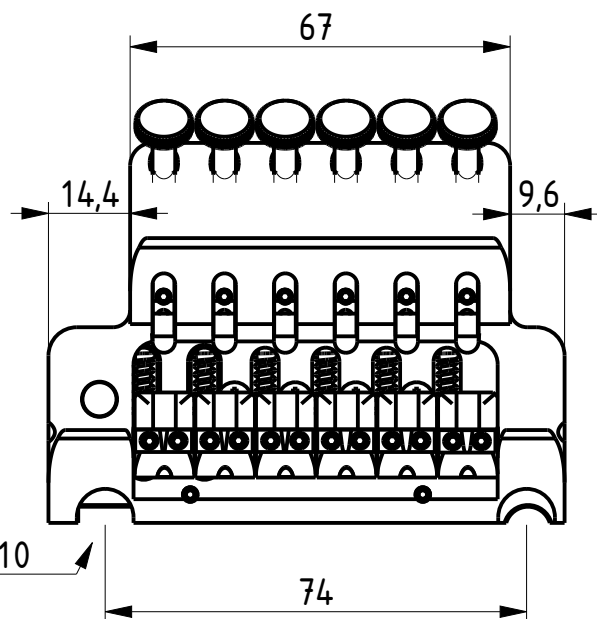
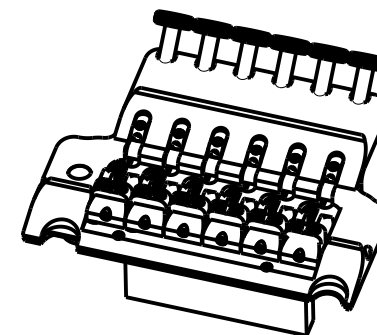
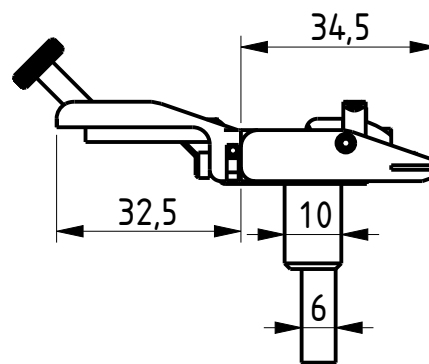
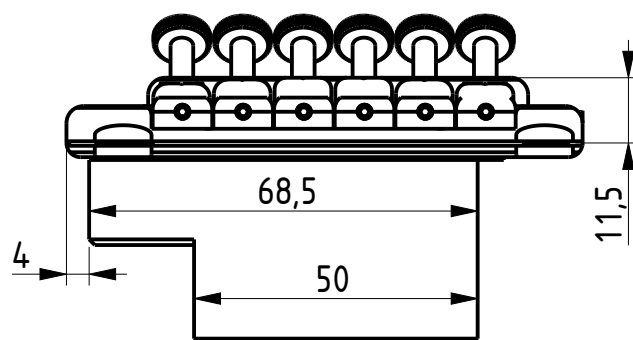


ABM5400 MK II Katana



Description :

- solid Bell Brass base plate with quick load fine tuners
- direct replacement for FR-Systems
- compatible for FR top mounted and FR routed guitar bodies
- variable post spacing
- 3D-adjustable Bell Brass saddles are moveable through intonation screws, and can be double locked after adjustment
- individual height and fretboard radius adjustment
- tremolo blocks are available with 32 mm, 37 mm or 42 mm length, made of stainless steel (brass additional available)
- plug in tremolo bar with adjustable clearance
- knife edge and all other parts are exchangeable to guarantee long life action
- complete tremolo accessories (studs, clamp etc.) are included