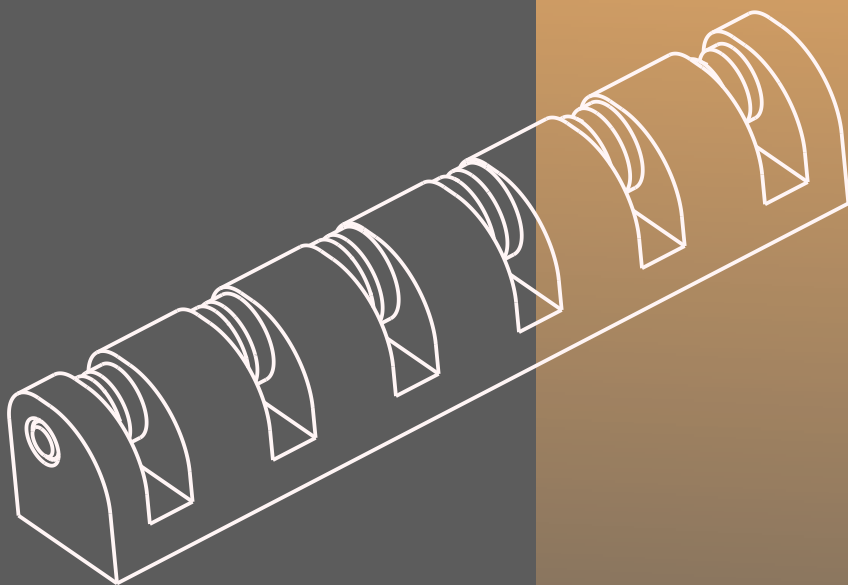


High Quality German Guitar Parts

Roller Nuts

7020 7021



ABM

Revision July 2021

Guide



You are welcome!

We invite you to study the 7020/7021 Roller Nut Guide.

This is the current revision. It describes the new product version of ABM 7020 and 7021, which have been delivered since July 10th, 2021.

The main advantage:

The ABM 7020/21 roller nuts minimize the friction between the string and it`s rest on the nut, by using precise rollers. The strings can move forth and back freely, especially while using a tremolo system. This prevents the strings from being clamped at the saddle position and greatly improves the tuning stability of the guitar. All rollers have been adapted to the string diameter. We recommend string sets up to .010 " - .046".

Furthermore, our roller nuts are made of Bell Brass. This material minimizes the loss of sound which can occur on a nut with moving parts. You will reach a well balanced and resonant sound by using the ABM 7020/21 roller nuts.

TABLE OF CONTENTS

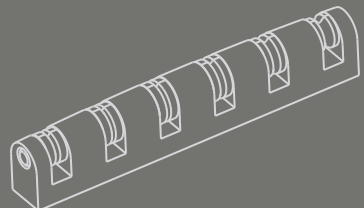


Page 2 Introduction / T.O.C.

Page 3 ABM 7020, technical data

Page 4 ABM 7021, technical data

Page 5 Important information



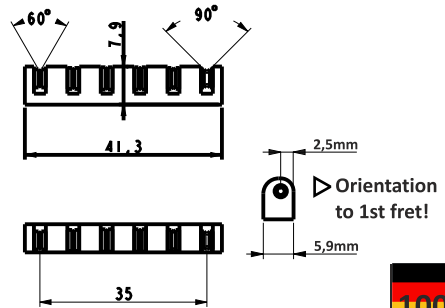


ABM ROLLER NUTS

ABM

7020

TECHNICAL DATA



Type: Roller nut for Stratocaster styled guitars with a neck radius of 9,5"

String-Spacing: 35mm 1st to 6th string, 7mm string to string (mid to mid).

Nut Width: 41,3mm

Depth: 5,9mm

Height: 7,9mm max.

Finish: Polished natural Bell Brass

Packing Unit: Nut

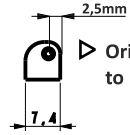
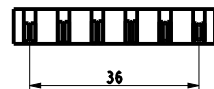
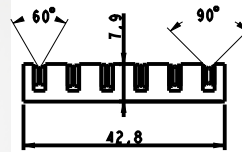
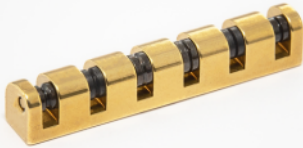


ABM ROLLER NUTS

7021

TECHNICAL DATA

ABM



Type: *Roller nut for Les Paul styled guitars with a neck radius of 12".*

String-Spacing: *36mm 1st to 6th string, 7,2mm string to string (mid to mid).*

Nut Width: *42,8mm*

Depth: *7,4mm*

Height: *Max. 7,9mm*

Finish: *Polished natural Bell Brass*

Packing Unit: *Nut*



Quick Guide

7020/21

IMPORTANT INSTRUCTIONS



Installing a guitar roller nut requires professional skills of guitar making and woodwork. The ABM warranty does not cover damage made by inexperienced handling. If you are not familiar with installing nuts, please contact a luthier or guitar technician.

Compatibility: Please check the drawings first. ABM offers two fretboard radii: 9.5" (ABM 7020) and 12" (ABM 7021). The rollers are suitable for string sets with a gauge of .010" to .046" (or thinner). We recommend to use staggered locking machine heads as well (for optimized string course and tuning stability). ABM roller nuts need a plain surface to be mounted. The ABM 7020 nut is not compatible with a Vintage-ST guitar, which shows a radiused nut pocket bottom and a guitar body sided truss rod access, so that the truss rod anchor is placed directly under the fretboard. Also a 70ties ST-Style guitar may not be compatible due to the large diameter of its bullet truss rod nut. Prior the installation, please check if the required height for the pocket can be achieved, without affecting other components of the neck. Please ask the guitar manufacturer for interior neck specs. The bottom of the ABM roller nuts can be sanded down with a maximum of about 1 mm to create a better string action, if needed. For the fixation of the nut to the nut pocket, please use an adhesive which sticks together metal and wood. Please ensure that no glue is applied to the rollers or the roller axis.

Performance: An ABM roller nut offers a perfect string contact without the friction a fixed nut shows. So a much better tuning stability is given, especially in combination with a tremolo unit. But a roller nut does not provide the same lateral string guidance like a fixed nut. This is important, if the string course is laterally spread towards the tuners, or the downward string angle is too low. If you use strong string bending techniques while guitar playing, we recommend to use high-quality string retainers, to be placed between saddle and tuners. This action improves the string course and prevents the string from popping out of the roller, too. While using the mentioned playing style above, you may possibly hear a slight click noise. This represents the roller touching the nearby sidewall. We still minimized the sideward clearance, but a small slackness is technically needed to prevent the roller from getting stuck.

Product care: Please do not use lubricants to improve the function of the rollers. In combination with dust and sweat, this action can impair or destroy the roller performance. So, the fine gap between roller and its recess can clog. Please clean the roller saddles frequently to guarantee a well function.

The Installation: Please take care about the correct installation direction. Viewed the nut from the side, you can see the string axis and its horizontal distance to the two outsides of the saddle. Now, turn the saddle so that the shorter distance points towards the 1st fret. The string support of a standard nut is located on its edge. Due to the design, the string rest on a roller nut is on a different position (at the roller top). For a proper intonation we have to offset this point towards the 1st fret, until it corresponds to the original string rest position of the previously installed saddle. So, the nut pocket of the fretboard must be expanded towards the 1st fret, to correct the scale.

Please check the drawings for the exact offset value. For a perfect look, the new designed nut body will cover the whole new arranged pocket area, if your instrument shows the classic ST- or LP-Style dimensions.

We wish you a lot of fun with your new product! The ABM Team