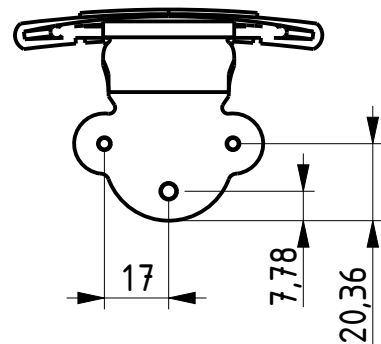
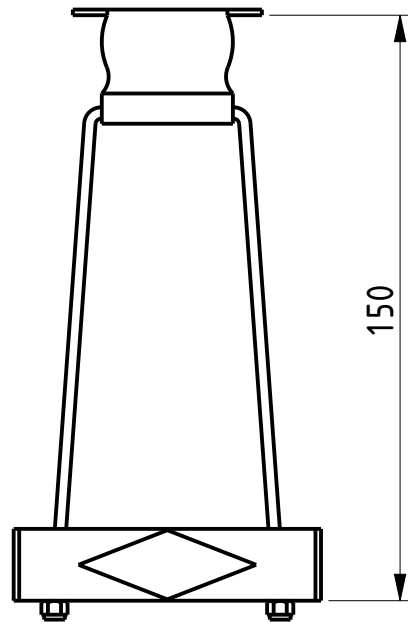
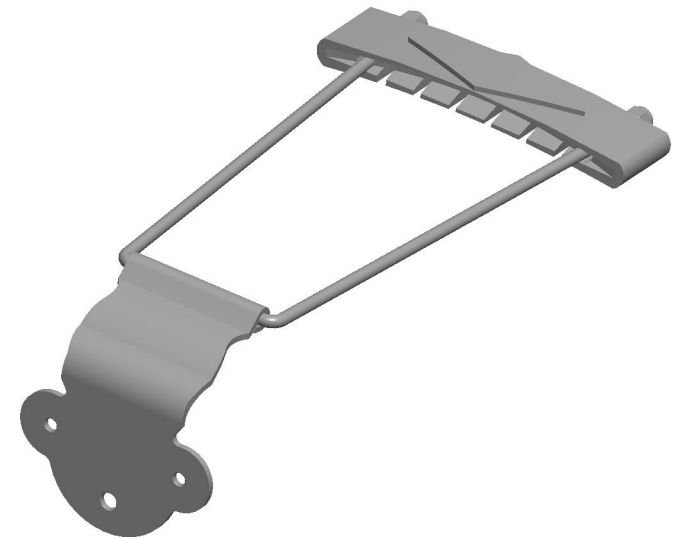
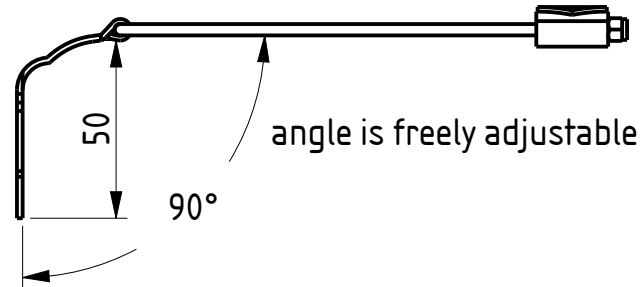
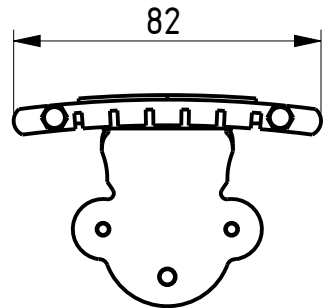


ABM1504 ES-Style Tailpiece



Description

- milled from solid bell brass
- handcrafted in Germany
- original TP-70 design and specs
- direct replacement for Gibson Guitars