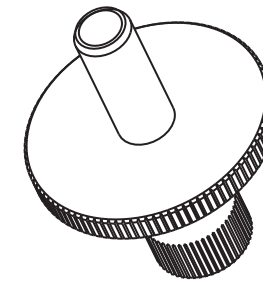
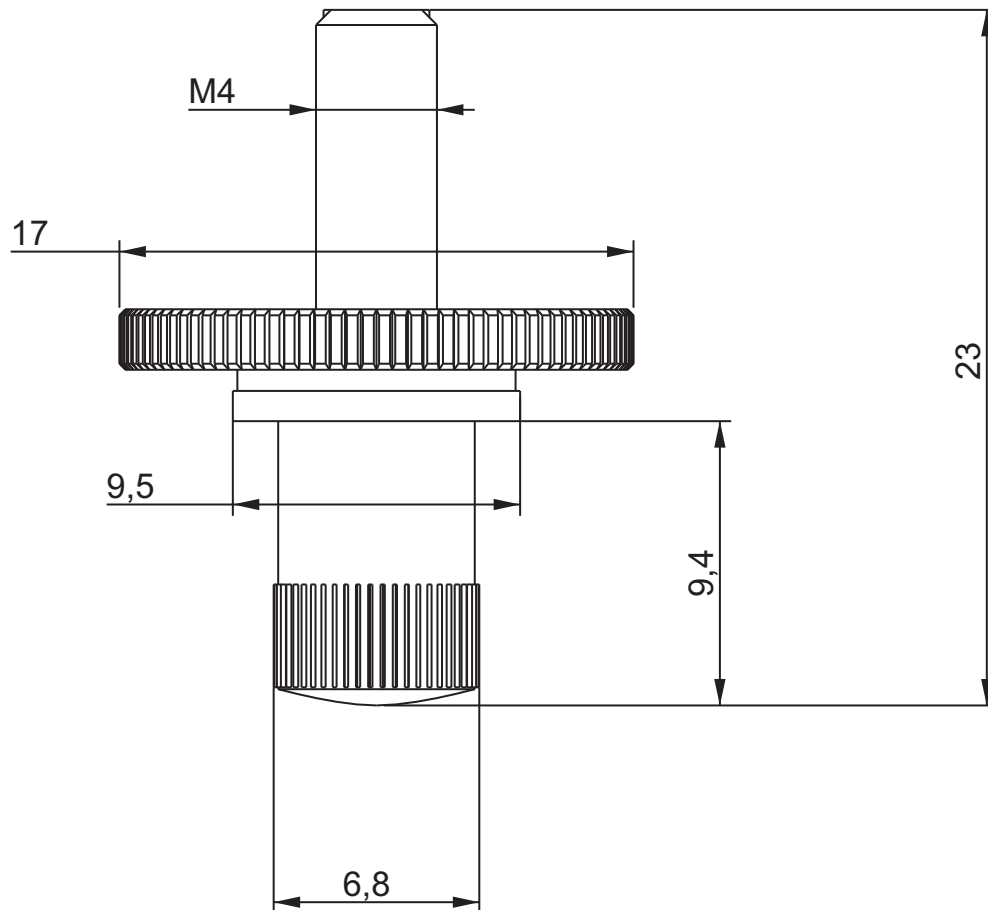


ABM2404 Guitar Stud



MASSTAB 2,000

Description

- combination of solid bell brass and steel
- bushing with headless pin and thumb wheel
- useable for the ABM2400-series and ABM2300
- max. elevating adjustment of 8 mm
- comes in a pair of studs