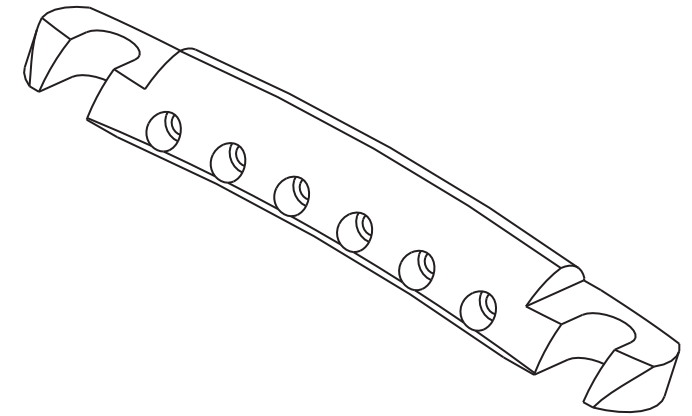
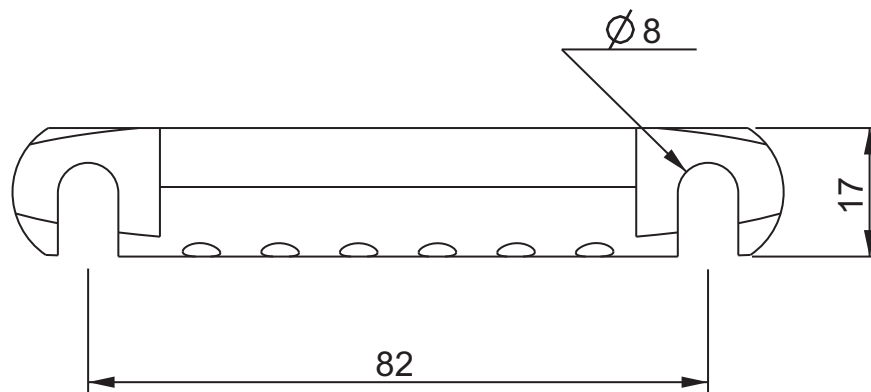
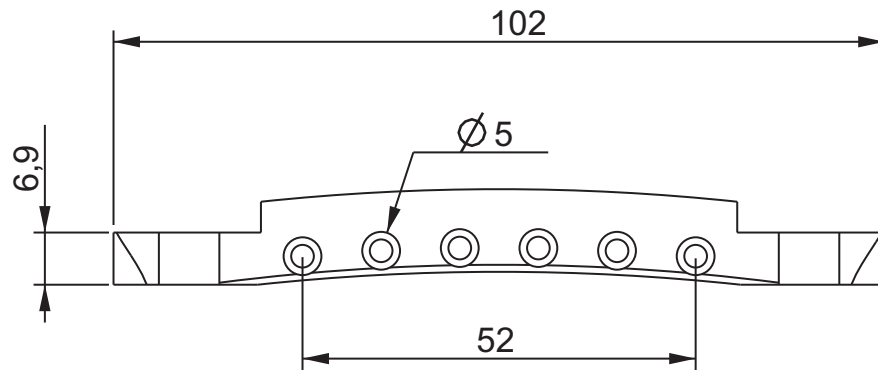


ABM3020 and 3020a Stop Tail



Description

- ABM3020 milled from solid bell brass
- ABM3020a milled from solid bell aluminum
- for 12 inch fretboard radius
- useable for 82 mm post spacing
- suitable on ABM30208 metric M8 studs and ABM302516 imperial 5/16" studs
- comes with a pair ABM302516 studs and bushings