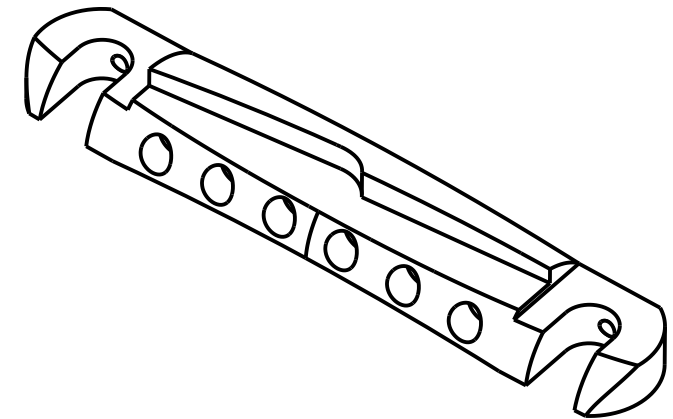
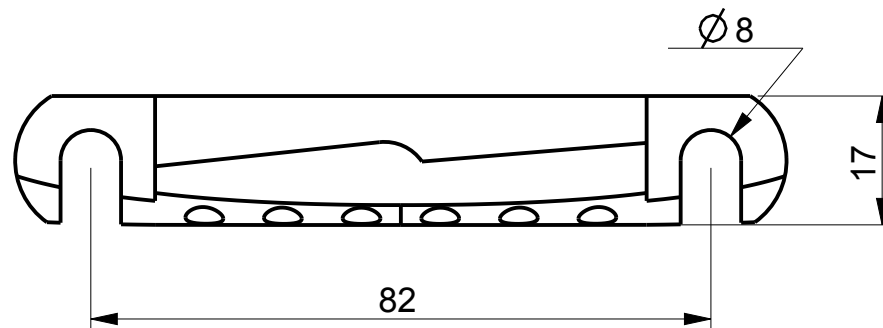
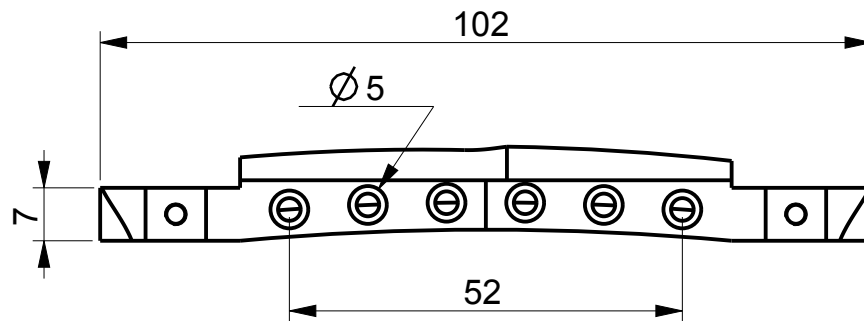


ABM3021 and 3021a Wraparound



Description

- ABM3021 milled from solid bell brass
- ABM3021a milled from solid aluminum
- for 12 inch fretboard radius
- useable for 82 mm post spacing
- for angled mounting
- suitable on ABM30208 metric M8 studs and ABM302516 imperial 5/16" studs
- comes with a pair ABM302516 studs and bushings