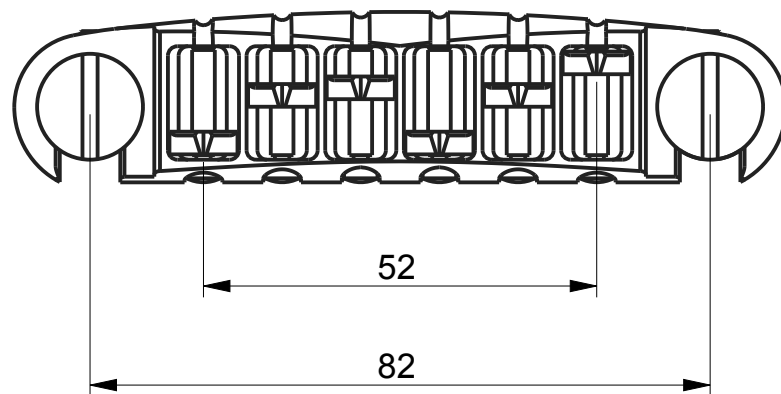
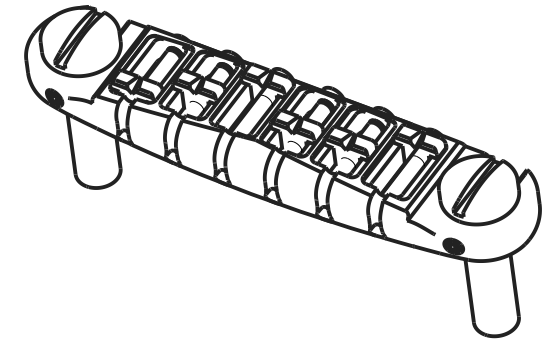
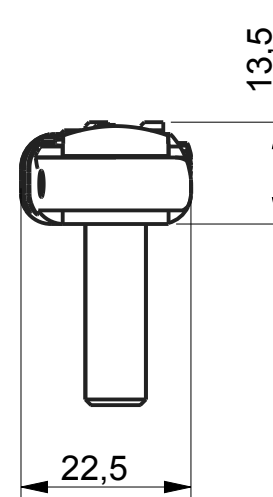
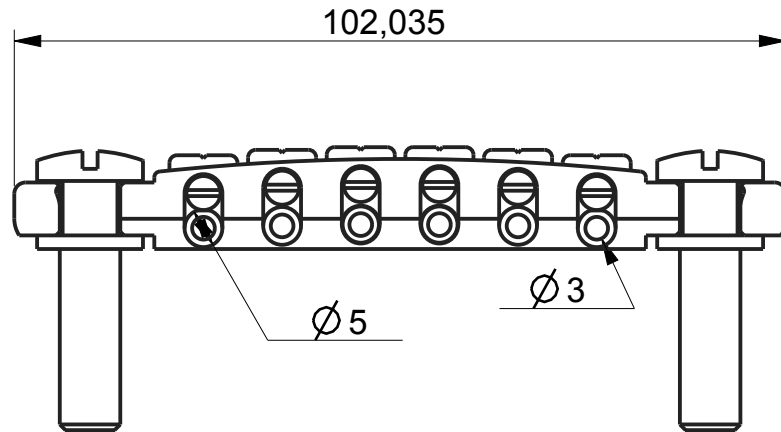


ABM3024 and 3024a Wraparound



Description:

- ABM3024 milled from solid bell brass
- ABM3024a milled from solid aluminum
- for 12 inch fretboard radius
- useable for 82 mm post spacing
- suitable on ABM30208-L metric M8 studs and ABM302516-L imperial 5/16" studs
- comes with a pair ABM302516-L studs and bushings
- adjustable saddles and adjustable bridge angle