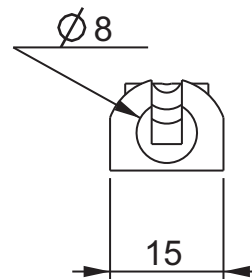
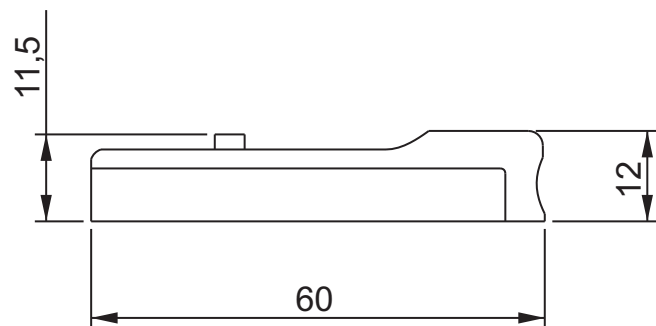
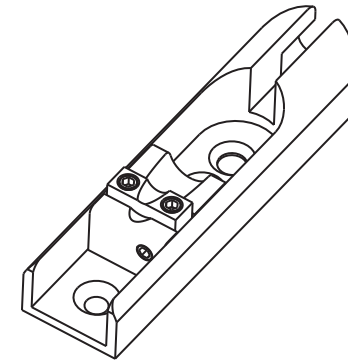
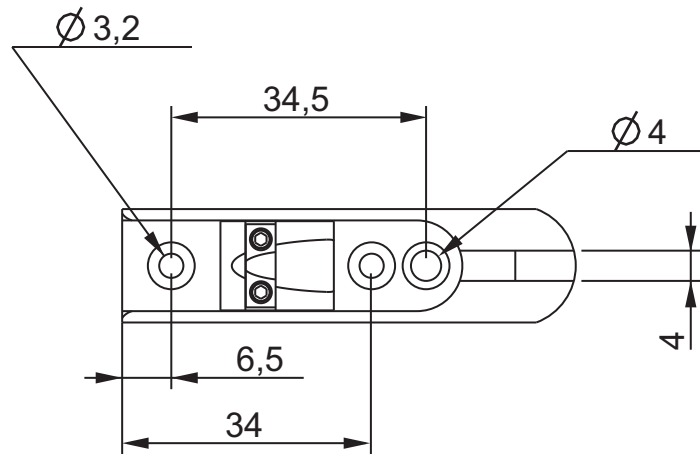


# ABM3710 Single Bridge



## Description

- milled from solid bell brass
- 3D- Single Bridge for Bass
- max. elevating adjustment of 3.5 mm
- comes with hex key and wooden screws
- for Top Load and String Through Body