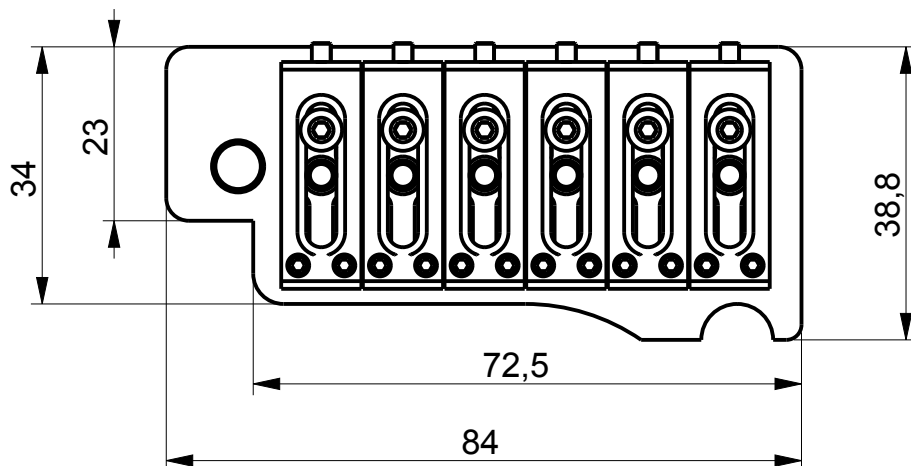
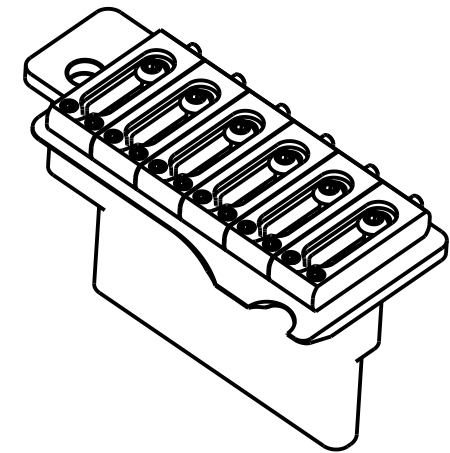
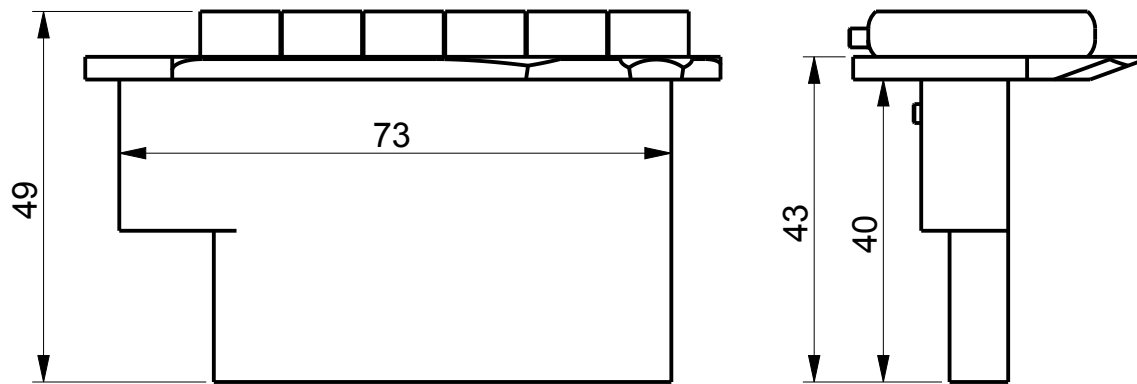


ABM5300 Tremolo



Description :

- solid Bell Brass base plate with advanced string guide
- direct replacement for 2-point mounting
- 54 mm string spacing and variable post spacing up to 56 mm
- locked down Bell Brass saddles
- tremolo block made of Bell Brass
- plug in stainless steel tremolo bar with adjustable clearance