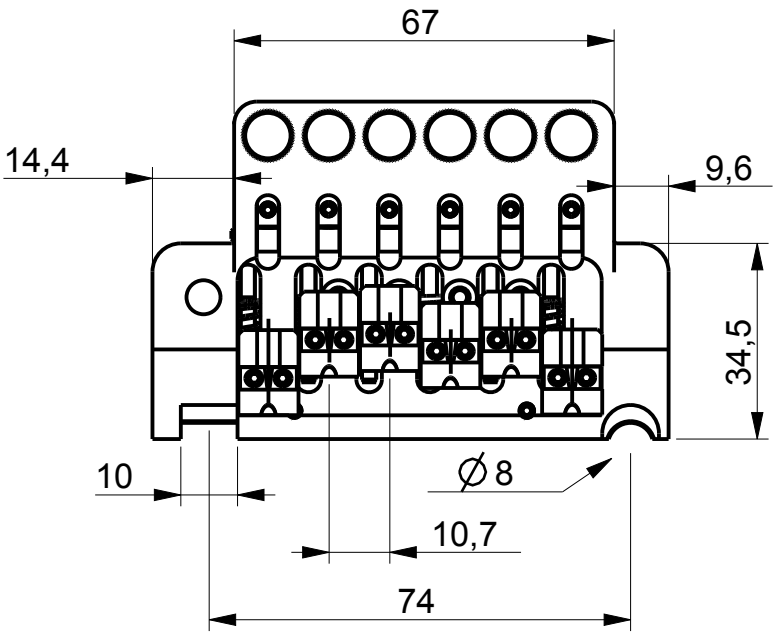
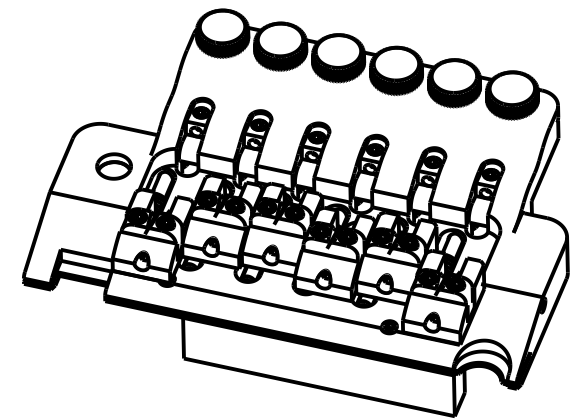
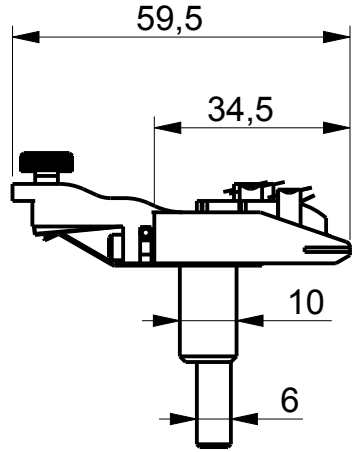
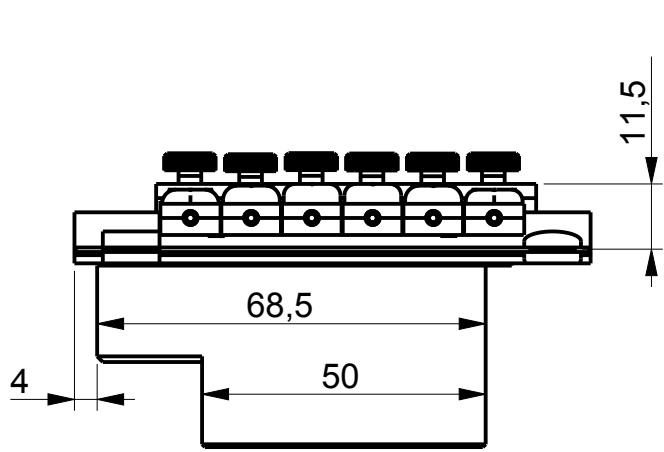


ABM5400 Katana



Description :

- solid Bell Brass base plate with quick load fine tuners
- direct replacement for FR-Systems
- variable post spacing up to 56 mm
- 3D-adjustable Bell Brass saddles are moveable through intonation screws, and can be locked after adjustment
- tremolo blocks are available with 32 mm, 37 mm or 42 mm length
- plug in tremolo bar with adjustable clearance
- knife edge and all other parts are exchangeable to guarantee long life action