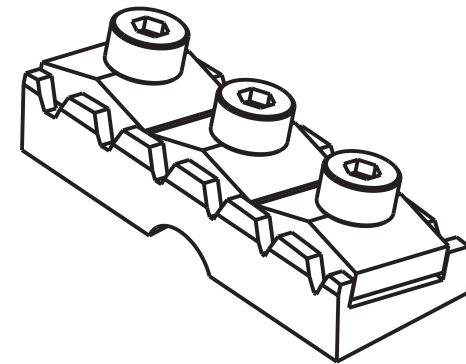
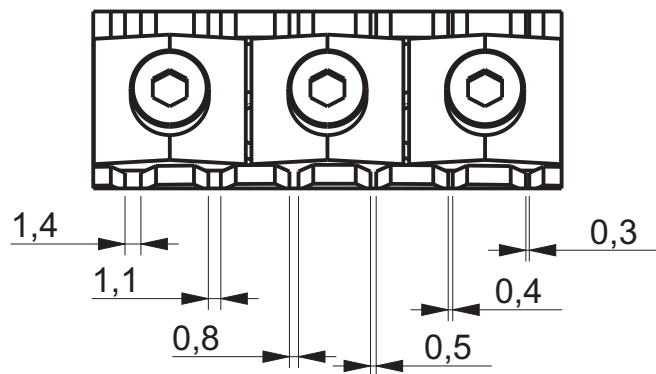
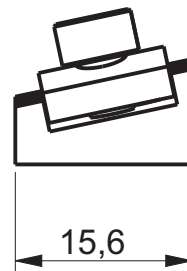
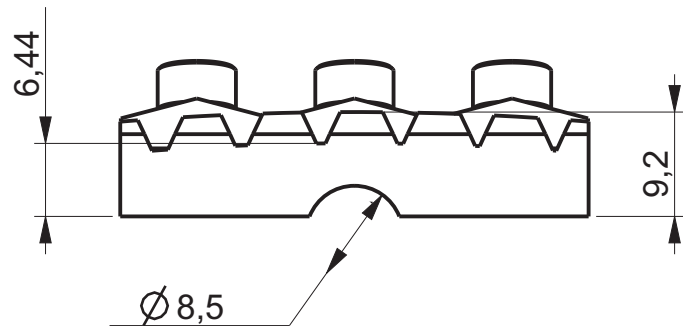
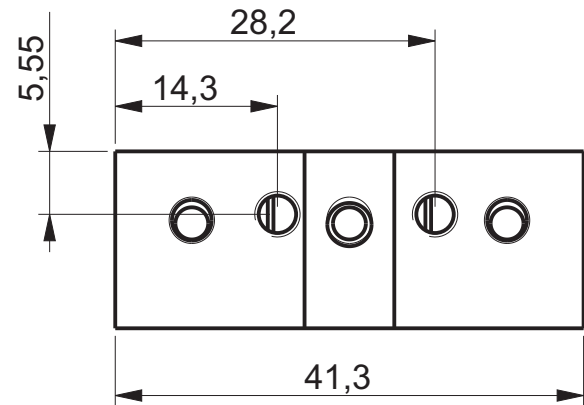


ABM7050-R2 Locking Nut



Description

- milled from solid bell brass
- 9.5 inch fretboard radius
- mountable from the top or the back
- with truss rod cavity