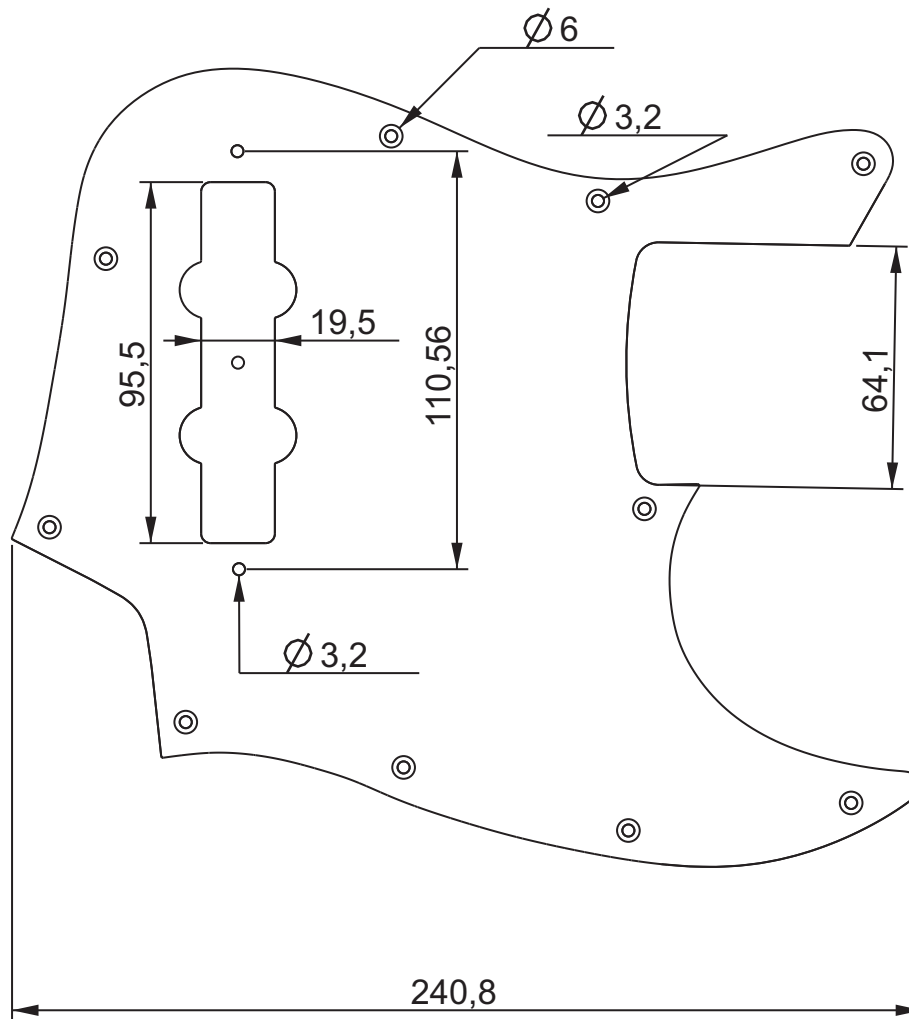


ABM7540 J-Bass Pickguard



Description

- milled from solid bell brass
- suitable for JB-Modells
- with beveled outline
- 10 mounting holes for wood screws
- 1.5 mm thickness