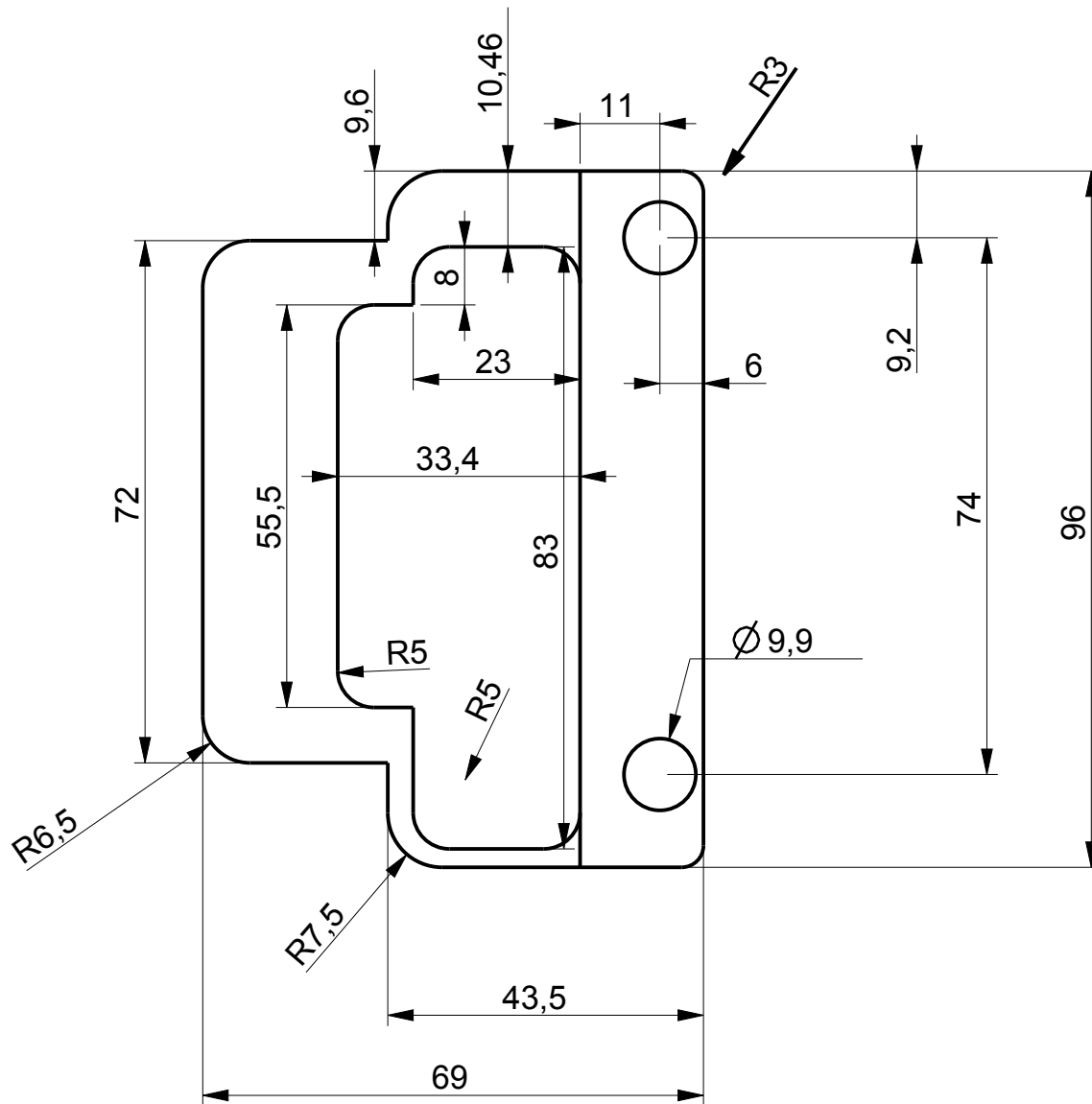


# ABM5400 - Top View Template



## Attention

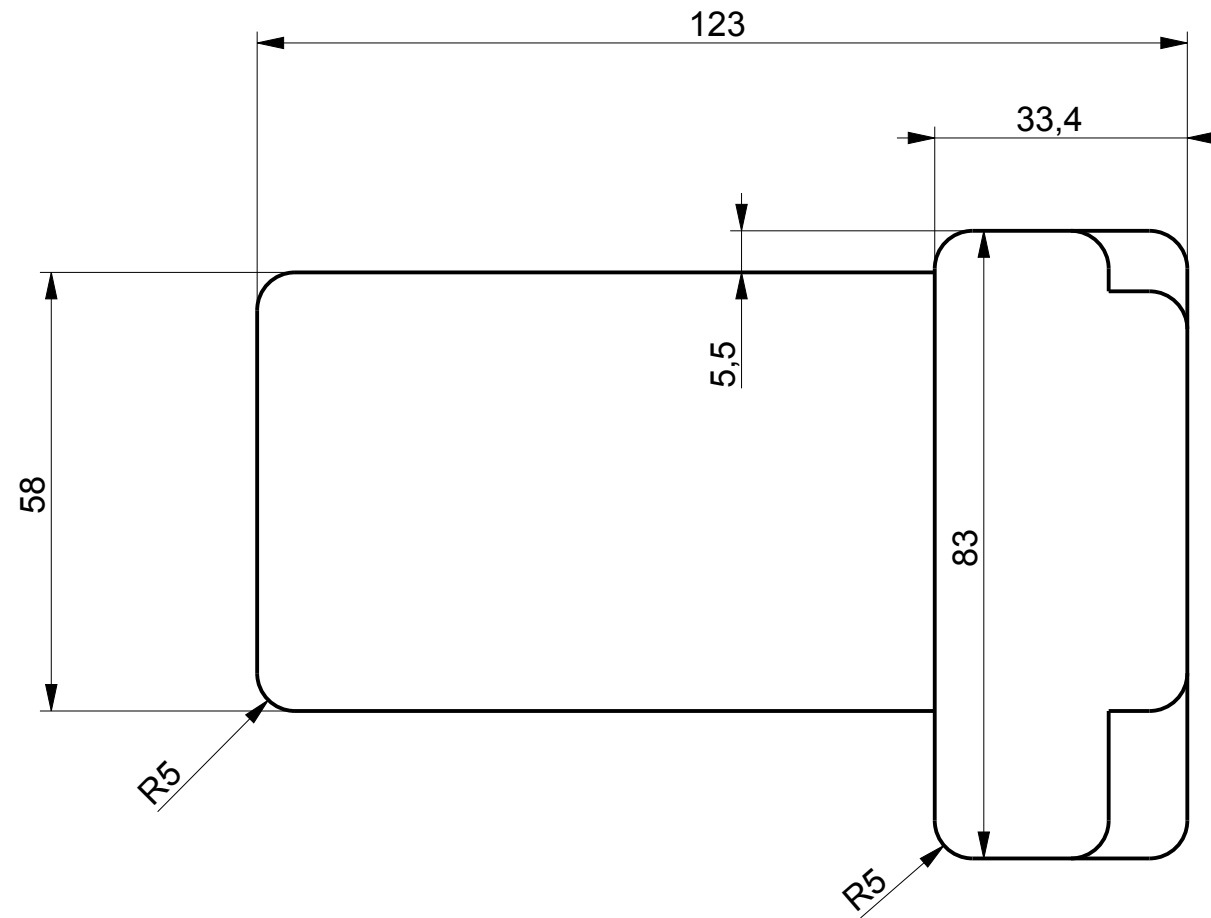
Please adapt the diameter of the holes to the corresponding bushings.

Please also consider the material nature and hardness of the wood you like to use.

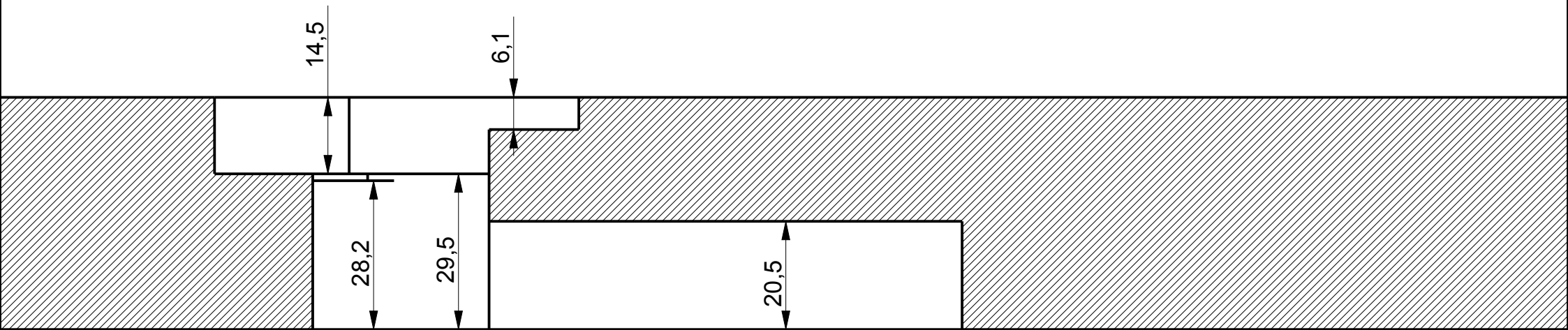
# ABM5400 - Back View Template



*High Quality German Guitar Parts*



# ABM5400 - 32 Side Sectional View



Section A-A

## Attention

These dimensions regarding to the use of a 32 mm tremolo block.

The body thickness is assumed with 44 mm, like the most frequently modern Heavy Metal Guitars.

Dimensions have to be adapt slightly by using thicker or thinner bodies.